

# Static & Dust Remover

# DUST HALER

Compact size Air Ionizer

## DUST HALER Trz:CuBe/Flt:CuBe/Trz: Maxi



Trz:CuBe

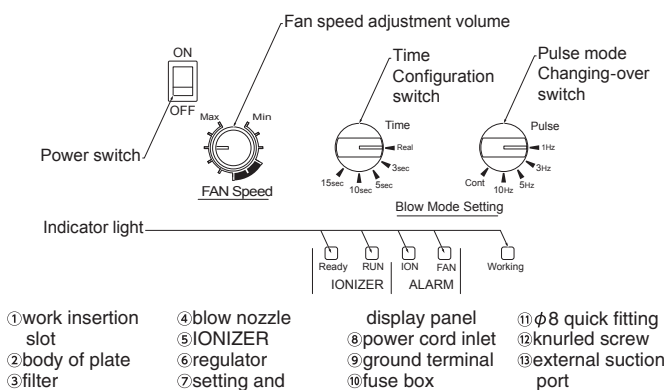


Flt:CuBe

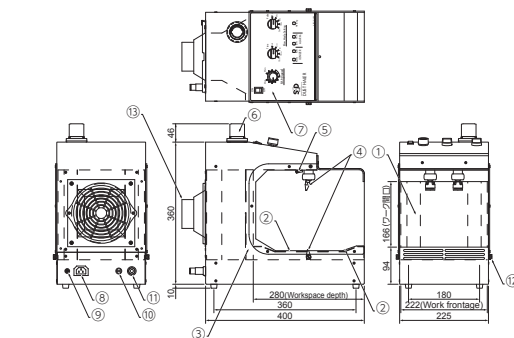


Trz: Maxi

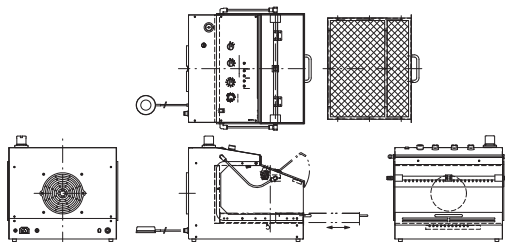
### Dimension Diagram



### Trz:Cube



### Trz:Maxi



### Main Features

- With Strong Vacuum fan, correct the particle that blown away inside box. (Trz:Cube, Trz:Maxi)
- Strong Air blow nozzle at up and down side. Installed three nozzles two for upper sides one for down side.
- Installed SSD HDC-AC Ionizer and perform fast decay performance.
- Easy operation by timer controlled air blow.
- Effective Four kinds of pulsed air blow
- Attached additional Filter (1 pc)
- You can chose non-fan vacuum type(Flt:CuBe) in case you have independent vacuum system.



Upper nozzle



Lower nozzle

### Specifications

Model	Trz:Cube	Flt:Cube	Trz:MaXi
<b>Input Voltage</b>	AC100V~240V(50/60Hz) $\pm 10\%$		
<b>Electric Consumption</b>	Maximum 240W	Maximum 50W	Maximum 240W
<b>Ionizer Specifications</b>	Discharge Method: HDC-AC Ion Balance: Below $\pm 30V$ Decay time: Below 1 second (0.6MPa air pressured)*1		
<b>Supplied Air</b>	CDA (Clean and dried air) *2		
<b>Available Air pressure</b>	0.2MPa~0.6MPa*3		
<b>Size of air fitting</b>	Diameter 8mm		
<b>Air Blow nozzle</b>	Upper side: 2units(Angle adjustable) Down side: 1unit		Upper side: 2units(Hight adjustable) Down side: 1unit(ON/OFF avairable)
<b>Filter Specification</b>	Correct 98% of the particle over 10 $\mu m$		
<b>Air Blow Pulse setting</b>	1Hz, 3Hz, 5Hz, 10Hz, Cont		
<b>Air Blow Time setting</b>	3 sec, 5 sec, 10 sec, 15 sec, Real		
<b>Fan Speed</b>	Non-step adjustable		
<b>Additional Function</b>	-		Foot Switch/Sensor/Continuously Blow Selector Slide Table
<b>Air Consumption</b>	270 $\ell$ /min ANR (at 0.3MPa Cont setting)		300 $\ell$ /min ANR (at 0.3MPa Cont setting)
<b>Vacuum System</b>	Fan	Dust Corrector	Fan
<b>Sound Level</b>	Minimum fan speed: 51dBA		50% Fan speed: 74dBA
<b>Dimensions</b>	225x360x400mm(WxHxD)		425x370x425mm(WxHxD)
<b>Weight</b>	Approx. 9kg		Approx. 8.5kg
<b>Available environment</b>	0~40°C / 15~85%RH (without condensation)		
<b>Accessories</b>	Manual, Power Cable, Filter, FootSwitch(Maxi only)		
<b>Option Part</b>	Filter (5 pieces): Trz-RKF05		Filter(5piece):Trz-MXF05

\*1 Checked by CPM with 150x150mm plate (20pF), Decay time is from  $\pm 1000V$  to  $\pm 100V$ .  
\*2 Supplied air must be Clean and Dry, the air contaminated with moisture or oil will makes damage to the ionizer.  
\*3 Setting level of the air regulator

In the interests of product improvement, specifications and product appearance are subject to change without notice.



**SHISHIDO ELECTROSTATIC, LTD.**  
<http://www.shishido-esd.co.jp/>

Overseas Department, Tokyo Branch

Shishido Bldg, 1-3-3 Higashi-Yukigaya, Ota-ku, Tokyo 145-0065

Tel: +81-3-3727-0162 Fax: +81-3-3727-0342

Head Office

9F-918, Marunouchi Bldg, 2-4-1 Marunouchi, Chiyoda-ku, Tokyo 100-6309

