

<http://www.koganei.co.jp>

**NEW**  
Products

Electrostatic discharge unit Ionizer

# Air gun type

## DTRY-ELG11



### 3x air flow rate!

(in-house comparison)

### Great increase in dust removal performance



#### □ Features

- The product has a 250g lightweight body, and designed for easy holding.
- High frequency AC system is highly effective at removing charges, and ion balance adjustment is not needed.
- A separate controller is unnecessary because a valve and ion generator is built in.
- Highly flexible robot cables are used for connection.
- AC adapter is attached.
- The product can be used for various applications from electronic part assembly in FA, to general manufacturing.

#### □ Specifications

| Item                              | Model   | DTRY-ELG11  |
|-----------------------------------|---------|---|
| Input voltage                     |         | 24 VDC ±5% (gun)  |
| Consumption current               | mA      | Approximately 100   |
| Output voltage                    | kV      | Approximately 2 (high-frequency type)                                       |
| Indicators                        | Power   | Power indicator LED, lit during normal discharging(green)                   |
|                                   | Fault   | Fault indicator LED, lit when fault occurs while discharging(red)           |
| Outside dimensions                | mm [in] | 138[5.433] (L) × 25[0.984] (W) × 142[5.591] (H) (not including protrusions) |
| Weight                            | g [oz]  | 250[8.82] (gun only)  |
| Ion balance                       |         | ±15 V   |
| Ozone generation amount           | ppm     | 0.04 or less (200 mm from nozzle tip; air pressure 0.2 MPa)                 |
| Medium <sup>Note</sup>            |         | Air (water vapor and oil removed to clean air)                              |
| Operating air pressure range      | MPa     | 0.05 to 0.6   |
| Operating environment temperature | °C [°F] | Indoors, 0[32] to 40[104] (no condensation)                                 |
| Accessories                       |         | AC adapter, cable (3 m) 1   |

Note: Air must be provided for operation.

Remark 1: Ion balance is measured according to Koganei measurement conditions. Please contact Koganei for details.

2: Use only Koganei nozzles. Never attempt to modify nozzles. Doing so creates the risk of product malfunction, loss of function, or damage.

## Order codes

### ● Gun

## DTRY-ELG11



Gun

### AC adapter (accessory)

Rating  
 Input: 100 to 240 VAC  
 50/60 Hz 0.6 A  
 Output: 24 VDC 750 mA  
 Cable length: 300 mm

### Cable (accessory)

Cable length 3 m

### ● Options (sold separately)

Replacement tungsten discharge needle  
 (unit: 5 per set)

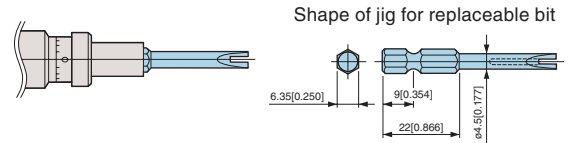
## DTRY-ZEM-G11

**Note** For DTRY-ELG11 air gun type only

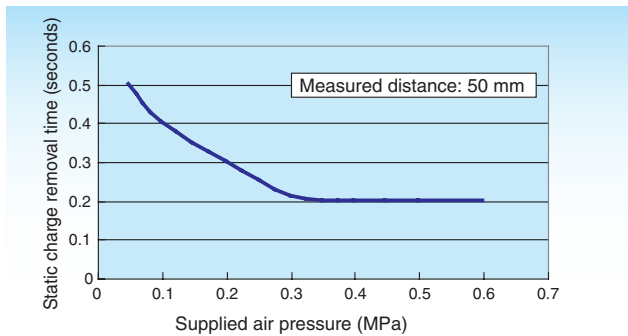
Special tool for replacing discharge needle

Note: Only bits are for sale

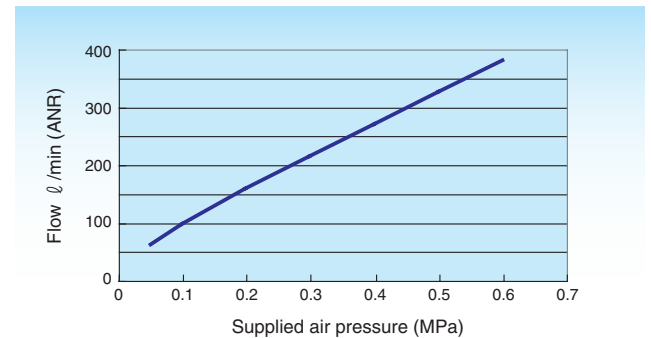
## DTRY-ELB21



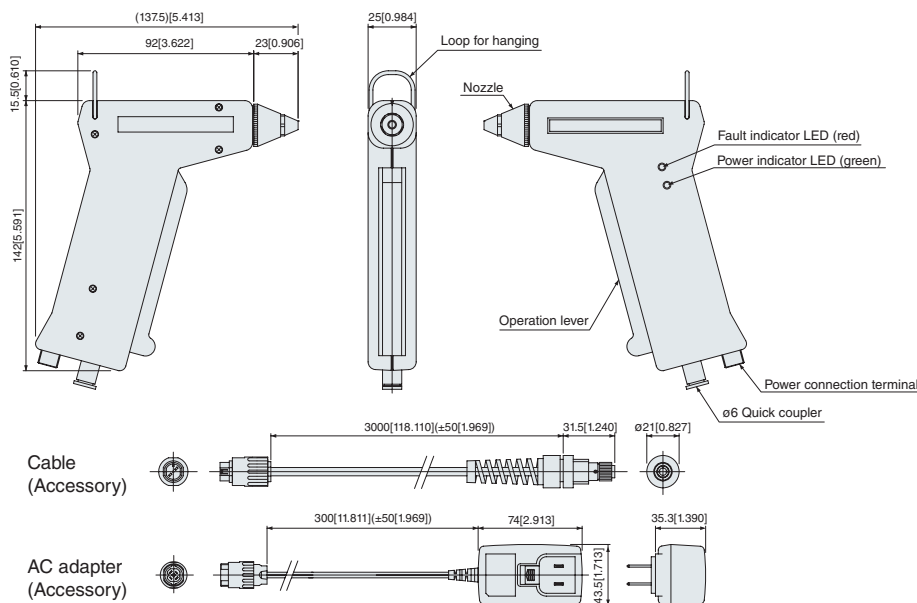
## Static charge removal characteristics



## Flow rate characteristics



## Dimensions (mm) [in]



URL <http://www.koganei.co.jp>

E-mail: [overseas@koganei.co.jp](mailto:overseas@koganei.co.jp)



# KOGANEI CORPORATION

OVERSEAS DEPARTMENT  
 3-11-28, Midori-cho, Koganei City, Tokyo 184-8533, Japan  
 Tel: 81-42-383-7271 Fax: 81-42-383-7276